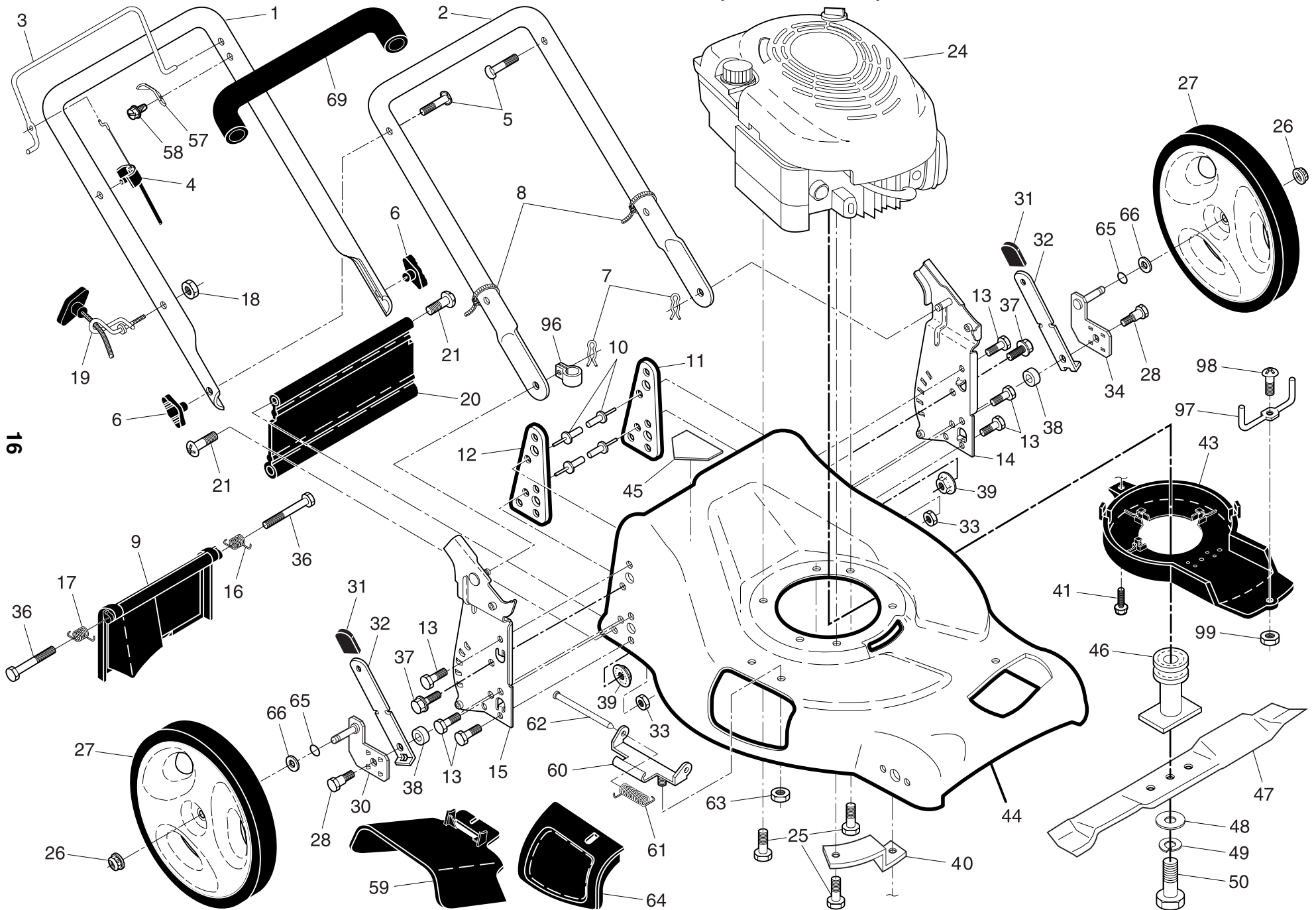


ROTARY LAWN MOWER - - MODEL NUMBER 65021CHV (96143001900) - PRODUCT NUMBER 961 43 00-19



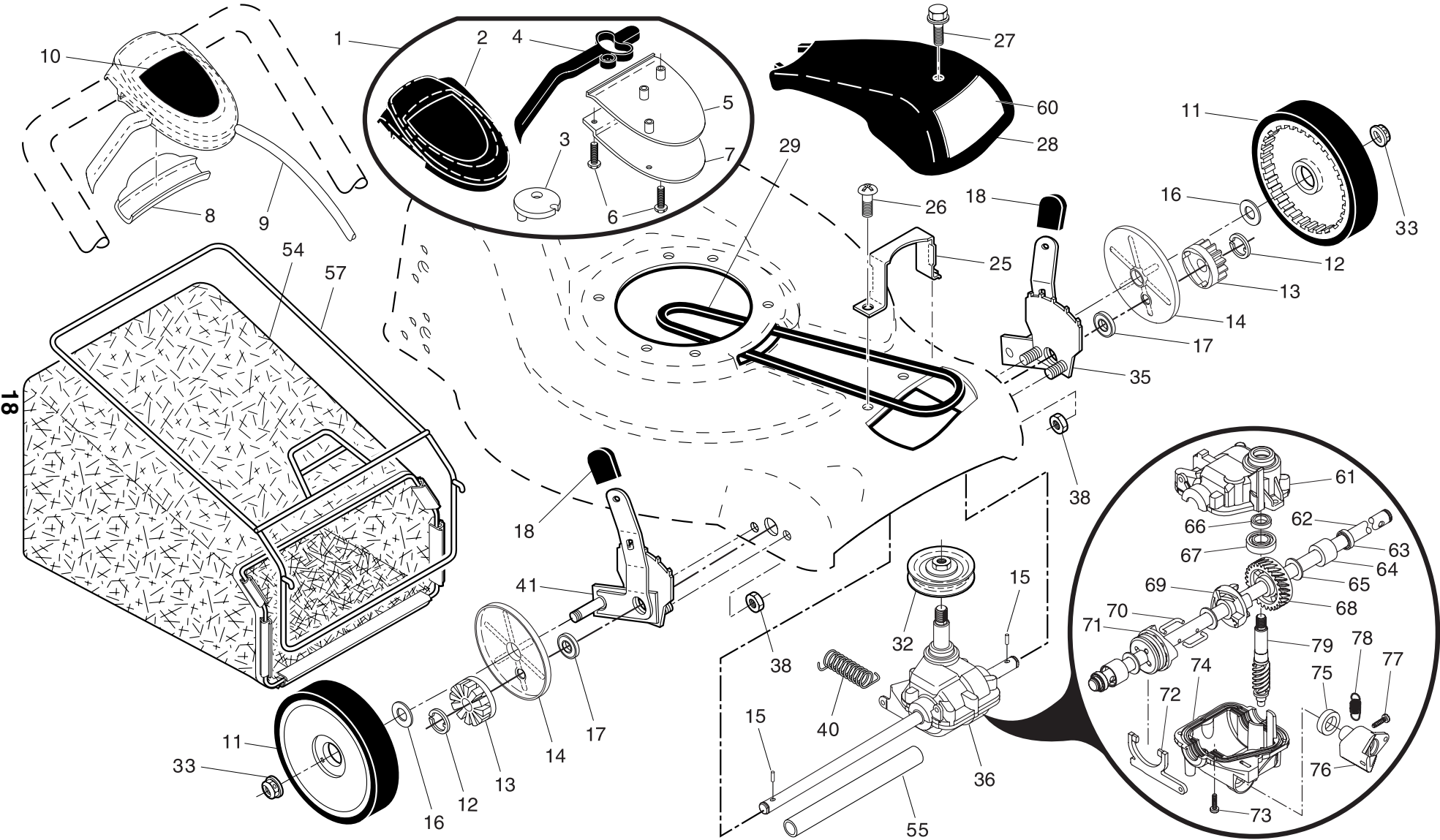
ROTARY LAWN MOWER - - MODEL NUMBER 65021CHV (96143001900) - PRODUCT NUMBER 961 43 00-19

KEY NO.	PART NO.	DESCRIPTION	KEY NO.	PART NO.	DESCRIPTION
1	532 19 64-03	Upper Handle, with Foam Grip	34	532 40 25-72	Axle Arm Assembly, Rear, LH
2	532 15 34-18	Lower Handle	36	532 18 41-93	Bolt
3	532 19 70-19	Control Bar	37	874 78 05-12	Thread Cutting Screw w/Sems 5/16-18 x 3/4
4	532 18 35-67	Engine Zone Control Cable	38	819 11 22-06	Washer
5	532 19 15-74	Handle Bolt	39	532 19 85-41	Nut, Hex
6	532 19 18-56	Handle Knob	40	532 19 09-39	Mounting Bracket, Debris Shield
7	532 05 17-93	Hairpin Cotter	41	532 19 23-25	Screw
8	532 06 64-26	Wire Tie	43	532 19 89-10	Debris Shield
9	532 40 69-85	Rear Door Assembly	44	532 40 89-89	Kit, Lawn Mower Housing (Includes Key Numbers 10, 11, 12 and 45)
10	532 12 84-15	Pop Rivet	45	532 40 47-63	Danger Decal
11	532 41 05-40	Support Bracket, LH	46	532 19 40-37	Blade Adapter / Pulley
12	532 41 05-42	Support Bracket, RH	47	532 40 67-12	Blade, 21"
13	817 06 04-10	Screw 1/4-20 x 5/8	48	532 85 10-74	Hardened Washer
14	532 19 60-37	Handle Bracket Assembly, LH	49	532 85 02-63	Helical Washer 3/8-24 x 1-3/8 Grade 8
15	532 19 60-36	Handle Bracket Assembly, RH	50	532 85 10-84	Hex Head Machine Screw 3/8-24 x 1-3/8 Grade 8
16	532 40 54-17	Spring, Rear Door, LH	57	532 12 51-62	Upstop Bracket
17	532 40 54-18	Spring, Rear Door, RH	58	532 75 06-34	Screw
18	532 13 20-04	Keys Locknut 1/4-20	59	532 18 55-82	Discharge Deflector
19	532 19 47-88	Rope Guide	60	532 17 57-35	Hinge Bracket
20	532 18 90-05	Rear Skirt	61	532 19 30-00	Spring
21	532 08 86-52	Screw, Hinge 1/4-20 x 1/2	62	532 17 56-50	Hinge Rod
24	- - -	Engine, Briggs & Stratton, Model Number 124T02 (For engine service and replacement parts, call Briggs & Stratton at 1-800-233-3723)	63	873 80 04-00	Nut, Hex
25	532 15 04-06	Hex Head Thread Rolling Screw 3/8-16 x 1-1/8	64	532 18 55-76	Mulcher Door
26	532 14 52-12	Hex Flange Nut	65	532 19 74-80	O-Ring
27	532 41 08-15	Wheel & Tire Assembly, Rear, 12"	66	532 08 83-48	Washer, Flat 1/2
28	532 16 08-28	Shoulder Bolt 5/16-18 x .33	69	532 18 27-48	Grip, Foam
30	532 40 25-71	Axle Arm Assembly, Rear, RH	96	532 19 79-91	Clip, Cable
31	532 70 10-37	Selector Knob	97	532 19 71-62	Belt Keeper
32	532 19 01-57	Selector Spring	98	532 18 22-27	Screw
33	873 80 05-00	Nut, Hex 5/16-18	99	532 18 22-28	Nut, Hex
			--	532 40 47-64	Decal, Warning (not shown)
			--	532 41 09-12	Owner's Manual, English / French

NOTE: All component dimensions given in U.S. inches. 1 inch = 25.4 mm

IMPORTANT: Use only Original Equipment Manufacturer (O.E.M.) replacement parts. Failure to do so could be hazardous, damage your lawn mower and void your warranty.

ROTARY LAWN MOWER - - MODEL NUMBER 65021CHV (96143001900) - PRODUCT NUMBER 961 43 00-19



ROTARY LAWN MOWER - - MODEL NUMBER **65021CHV** (96143001900) - PRODUCT NUMBER 961 43 00-19

KEY NO.	PART NO.	DESCRIPTION	KEY NO.	PART NO.	DESCRIPTION
1	532 19 62-70	Drive Control Assembly	36	532 18 82-96	Gearcase Assembly, Complete
2	532 19 57-61	Cover, Drive Control, Upper	38	873 80 04-00	Locknut, Hex 1/4-20
3	532 18 73-53	Pulley	40	532 19 28-49	Spring
4	532 19 00-39	Lever, Drive Control	41	532 40 90-98	Kit, Wheel Adjuster, RH (Includes Knob and Bearing)
5	532 19 57-62	Cover, Drive Control, Lower	54	532 40 11-90	Grassbag Assembly
6	532 18 16-98	Screw	55	532 17 57-39	Driveshaft Cover
7	532 40 07-23	Mounting Bracket, Drive Control	57	532 40 18-02	Frame, Grassbag
8	532 18 62-97	Cap, Drive Control	61	532 19 68-86	Case, Upper
9	532 19 61-80	Cable, Drive	62	532 19 68-85	Shaft, Output
10	532 18 90-74	Decal, Drive Cover	63	532 18 35-08	Seal, Output Shaft
11	532 41 10-81	Wheel & Tire Assembly	64	532 18 35-11	Bushing
12	812 00 00-58	E-Ring	65	532 18 35-09	Washer
13	532 40 38-49	Pinion	66	532 18 35-14	Seal, Worm Shaft
14	532 18 94-03	Dust Cover	67	532 18 35-06	Bearing, Ball
15	532 19 10-17	Pawl, Drive	68	532 18 34-99	Gear, 27 Teeth
16	532 06 77-25	Washer 1/2 x 1-1/2 x .134	69	532 19 68-84	Fixed Dog Clutch
17	532 19 10-39	Bearing, Wheel Adjuster	70	532 18 35-05	Wireform
18	532 18 55-74	Selector Knob	71	532 19 68-83	Movable Dog Clutch
25	532 19 90-89	Belt Keeper	72	532 19 68-82	Fork
26	532 15 00-78	Screw	73	532 18 35-13	Screw, Case
27	532 17 52-62	Pan Head Tapping Screw #10-24 x 2-3/4	74	532 19 68-81	Case, Lower
28	532 18 57-15	Drive Cover	75	532 19 68-80	Seal, Lever
29	532 19 68-53	V-Belt	76	532 19 68-79	Lever
32	532 19 40-18	Drive Pulley	77	532 19 68-78	Screw, Lever
33	532 08 39-23	Locknut, Hex	78	532 19 68-77	Spring
35	532 40 90-97	Kit, Wheel Adjuster, LH (Includes Knob and Bearing)	79	532 18 35-02	Shaft, Worm

NOTE: All component dimensions given in U.S. inches. 1 inch = 25.4 mm

IMPORTANT: Use only Original Equipment Manufacturer (O.E.M.) replacement parts. Failure to do so could be hazardous, damage your lawn mower and void your warranty.